

SLIM RELAY MODULE

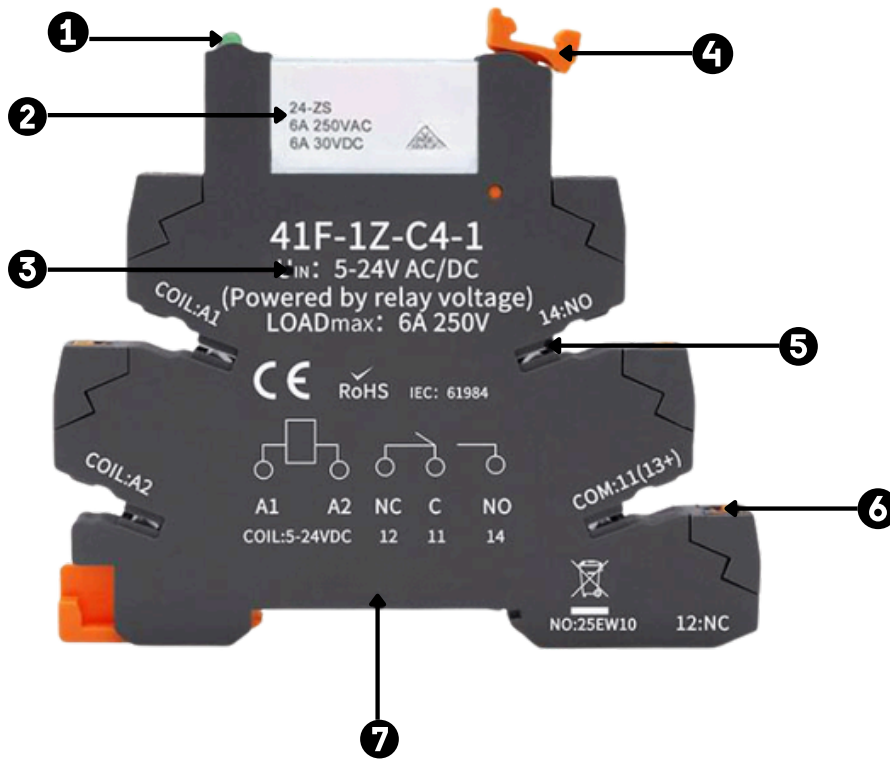
SLIM RELAY MODULE : 41F-1Z-C4-1 base

- ULTRA-THIN VOLUME 0.19 IN
- High sensitivity and low power consumption



PRODUCT FEATURES

- ① WORKING INDICATOR LIGHT
- ② RELAY MODULE
- ③ BASE MODEL
- ④ LOCK/UNLOCK BUCKLE
- ⑤ SPRING CONNECTION
- ⑥ SCREW-FREE WIRING
- ⑦ RAIL INSTALLATION



ANTI-DROP BUCKLE

Strong and stable, easy to pop out



EASILY BREAK OPEN
THE BUCKLE AND
THE RELAYPOPS UP

PRODUCT PARAMETERS

The main technical parameters



- SLIM TYPE (ONLY 5MM WIDE)
- 6A CONTACT SWITCHING CAPABILITY
- MEDIUM VOLTAGE BETWEEN COIL AND CONTACT 4KV
- ANTI-SURGE VOLTAGE 6KV BETWEEN COIL AND CONTACT
- MEET VDE0700/0631 REINFORCED INSULATION
- POWER CONSUMPTION IS ABOUT 0.17W

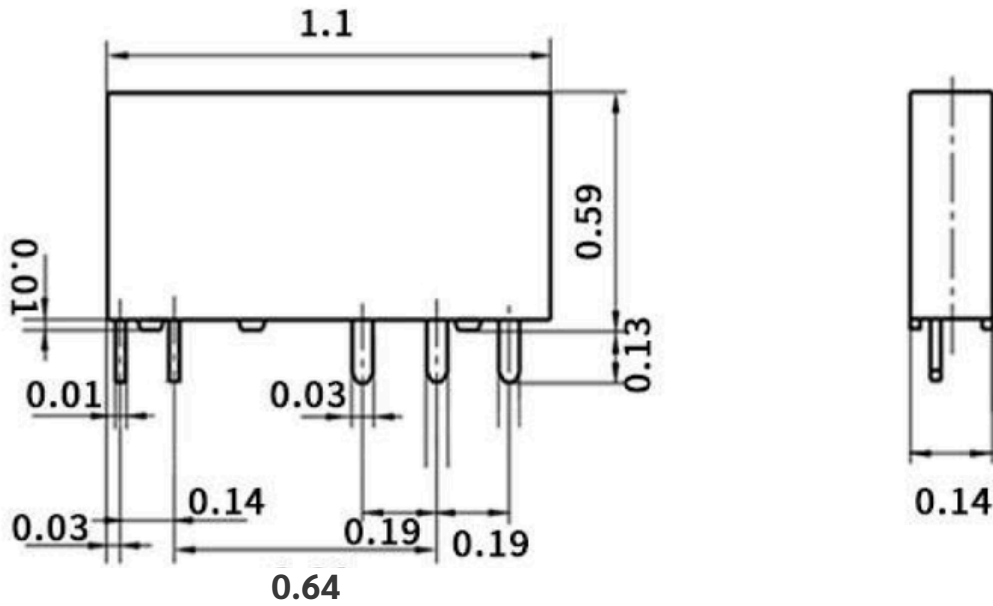
- SCREWLESS WIRING
- DIN-RAIL INSTALLATION
- WITH FINGER PROTECTION STRUCTURE
- CE CERTIFIED

PRODUCT PARAMETERS

The main technical parameters

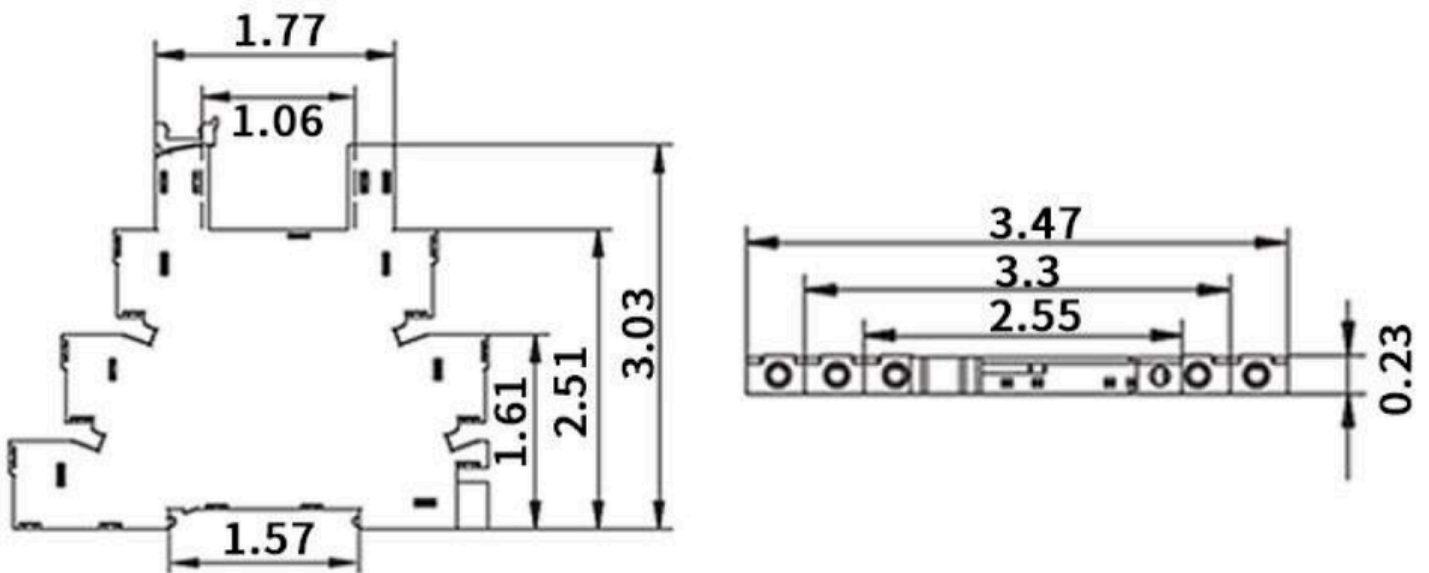
Size:

unit:in



Size:

unit:in





CONTACT PARAMETERS

Contact form	1H, 1Z
Contact resistance ⁽¹⁾	Gold-plated contacts: $\leq 30\text{m}\Omega$ (1A 6VDC) Non-gold-plated contacts: $\leq 100\text{m}\Omega$ (1A 6VDC)
contact material	AgSnO ₂ , AgNi
Contact load (resistive)	6A 250VAC / 30VDC
Max Switching Voltage	400VAC / 300VDC
Max switching current	6A
Max Switching Power	1500VA / 180W
mechanical durability	1×10^7
Electrical durability	Type H: 6×10^4 frequency(AgNi, 6A 250VAC/30VDC,Resistive load, 85°C, 1s on 9s off) Type Z: 3×10^4 frequency(NO, AgNi, 6A 250VAC/30VDC,Resistive load, 85°C, 1s on 9s off) 1×10^4 frequency(NC, AgNi, 6A 250VAC/30VDC,resistive load, 85°C, 1s on 9s off)

Remarks: (1). The above values are initial values.





PERFORMANCE PARAMETERS

Insulation resistance		1000M Ω (500VDC)
Dielectric withstand voltage	Between coil and contact	4000VAC 1min
	Between break contacts	1000VAC 1min
Operating time (at rated voltage)		\leq 8ms
Release time (at rated voltage)		\leq 4ms
Shock ^{*(1)}	Stability	49m/s ²
	Strength	980m/s ²
Vibration ^{*(1)}		10Hz ~ 55Hz 1mm Double amplitude
Humidity		5% ~ 85% RH
Temperature range		-40°C ~ 85°C
Terminal form		Printed board
Weight		About 5g
Encapsulation		Encapsulation

Remarks:

- (1) * refers to the performance index without socket and not in the length direction;
- (2) The above values are all initial values;
- (3) For coil temperature rise, see the performance curve for details;
- (4) For conversion products, please avoid using the smallest face or face down when installing;
- (5) UL insulation class: Class A





Thank you



Website



LINE Official

Website : www.mit-trade.com
Email : info.mittrade@gmail.com
Phone : 081-123-2475



081-123-2475



Line id: mitttrade



www.mit-trade.com



info.mittrade@gmail.com